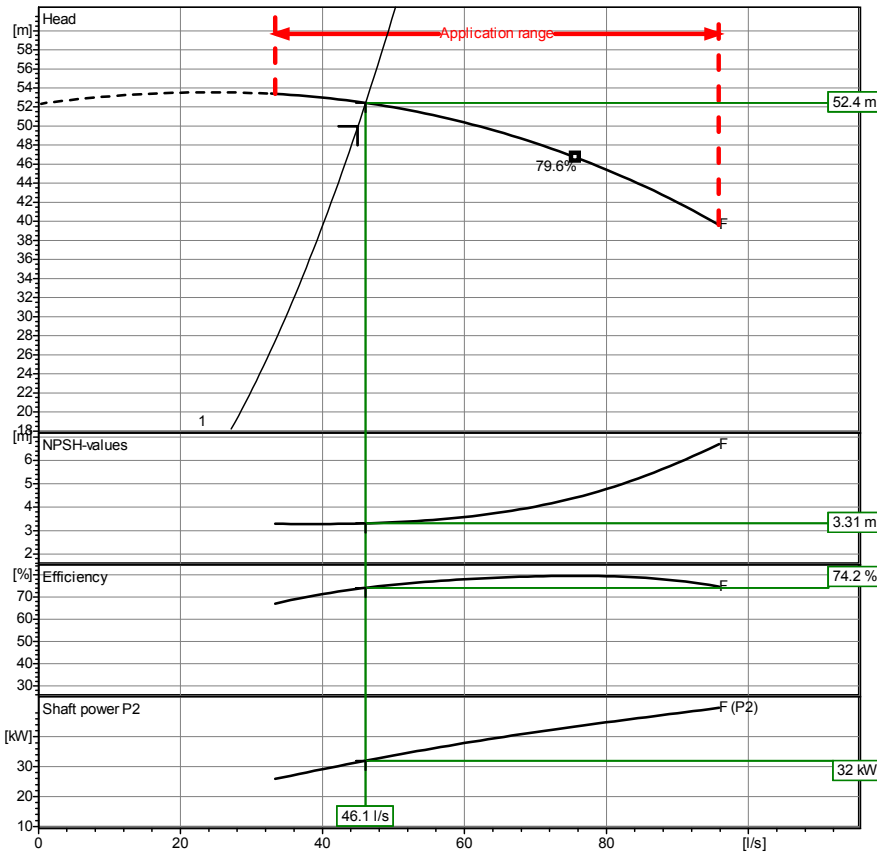


## Technical data

SN4E100-400-F-GR-TM-GG

MEI  $\geq 0,4$



ISO 9906 Annex A

### Operating data specification

Capacity	45 l/s
Head	50 m
Fluid	Water, clean
Type of installation	Single head pump

### Pump operating data

Design	SN4E100-400-F-GR-TM-GG
Impeller Ø	400 mm
Speed	1450 rpm
Flow	46.1 l/s
Head	52.4 m
Shaft power P2	32 kW
Efficiency	74.2 %
Head (Q=0)	52.3 m
Non return valve loss	

### Electric motor technical data

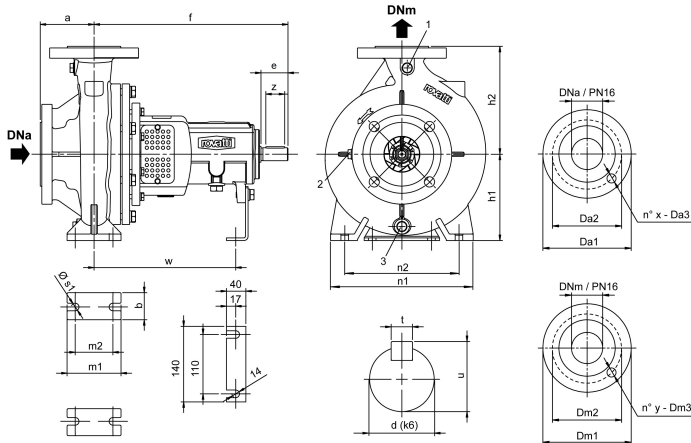
Design	
Rated power	
Frequency	
Number of poles	
Nominal speed	
Rated voltage	
Starting mode	
Rated current	
Insulation class	
Degree of protection	

### Use limits

Max N° startings/hour	
Max. runing time with Q=0	2 min
Max. solids contents	40 g/m <sup>3</sup>
Max. pumped liquid temperature	90 °C
Maximum density	998 kg/m <sup>3</sup>
Maximum viscosity	1 mm <sup>2</sup> /s

### Materials

Pump body	Cast iron
Impeller	Carbon steel + Cataphoresis
Wear ring	Cast iron
Support	Cast iron
Bearing support	Cast iron
Shaft	Stainless steel
Cover	Cast iron
Mechanical seal	Graphite / Ceramic / NBR
Spacer	Stainless steel



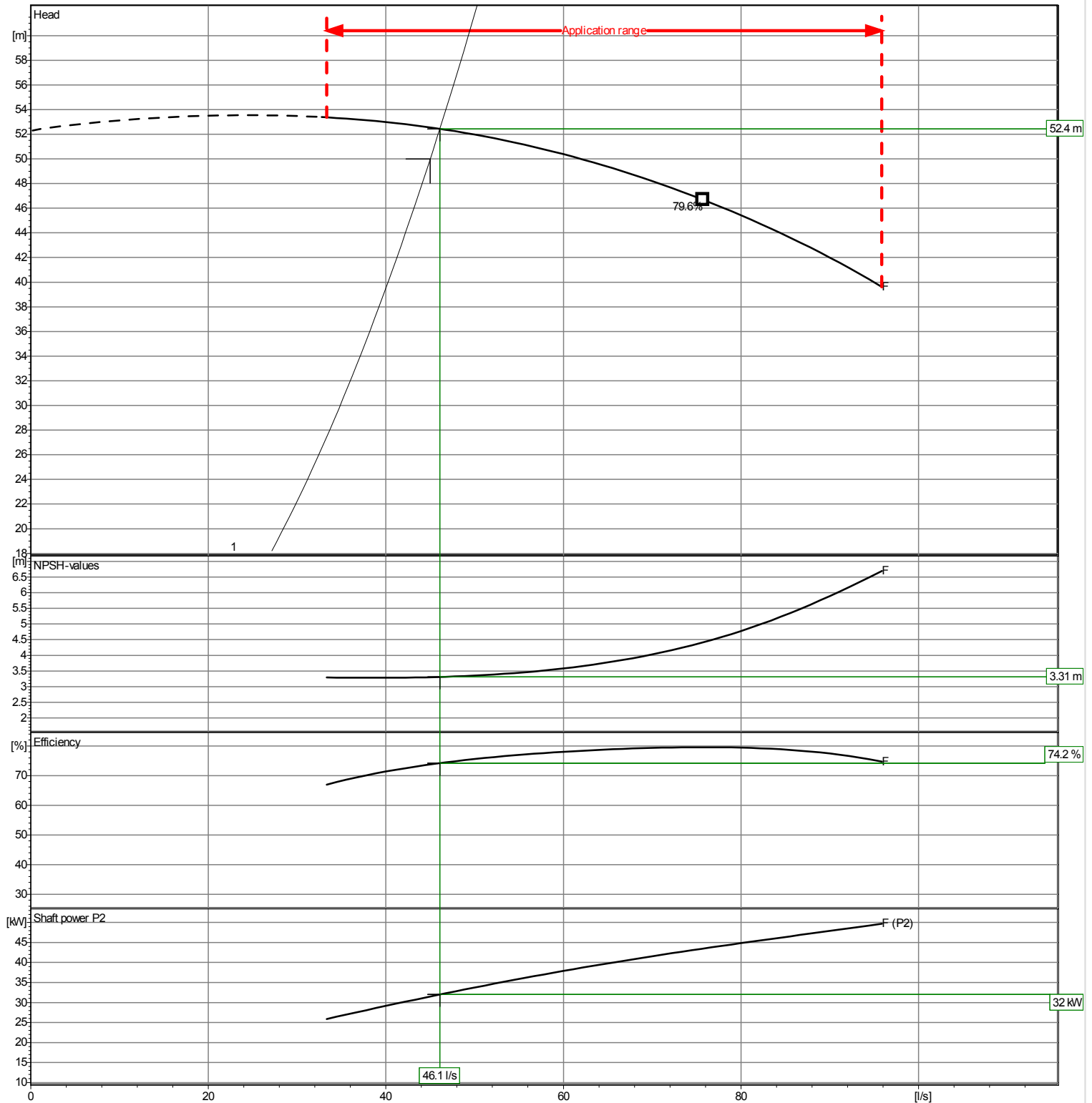
Dimensions in		mm		Total weight		158 kg	
1	G 3/8"	Dm2	180	n1	400		
2	G 3/8"	Dm3	18	n2	500		
3	G 3/8"	DNa	125	s1	23		
a	140	DNm	100	t	12		
b	100	e	110	u	45		
d	42	f	530	w	370		
Da1	250	h1	280	x	8		
Da2	210	h2	355	y	8		
Da3	18	m1	200	z	90		
Dm1	220	m2	150				

## Performance curves

SN4E100-400-F-GR-TM-GG

MEI >= 0,4

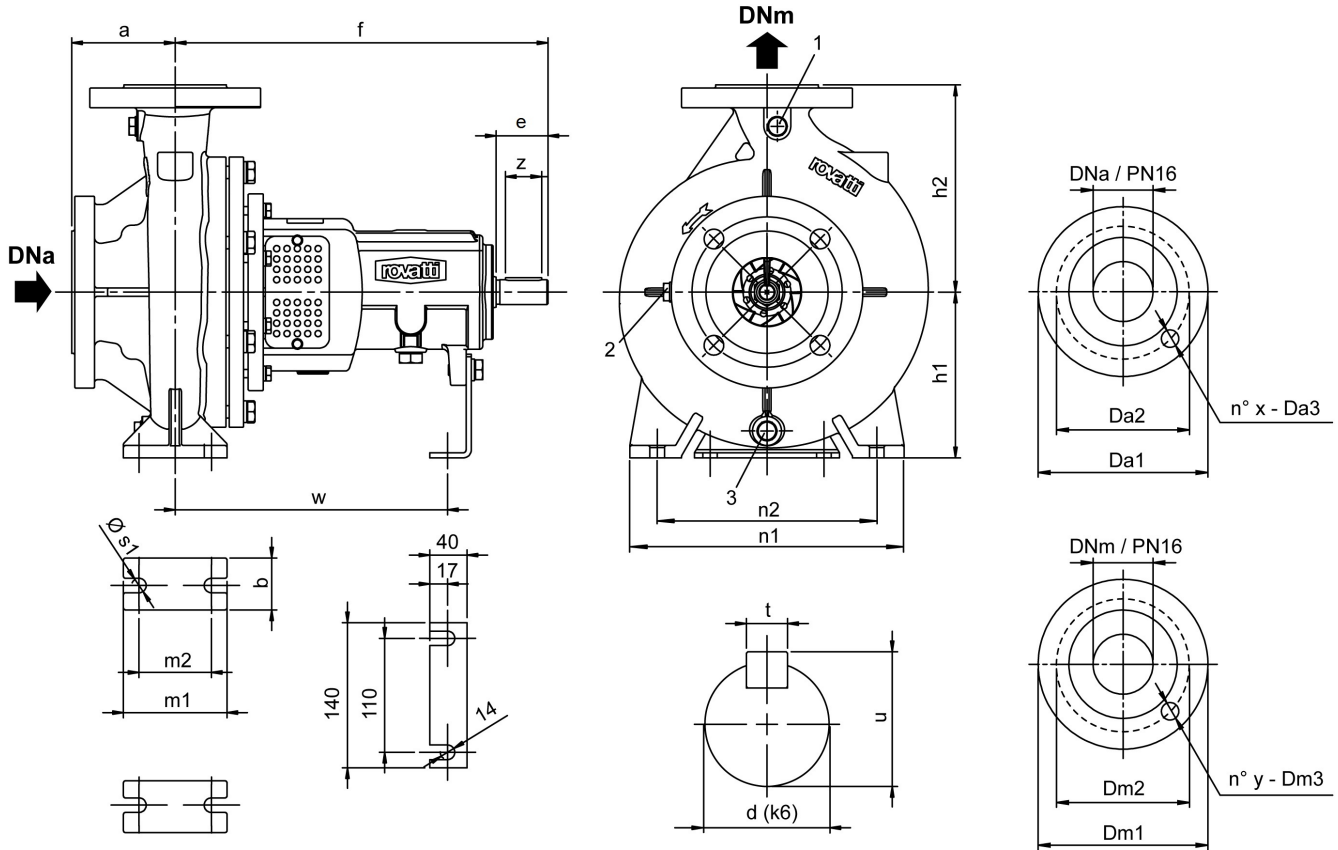
Performances				
Speed		1450 rpm	Density	998 kg/m <sup>3</sup>
Flow	Min.	33.3 l/s	Viscosity	1 mm <sup>2</sup> /s
	Max.	95.8 l/s	Temperature	20 °C
Efficiency	Max.	75.7 l/s	Tolerances	ISO 9906 Annex A



## Types of installation

SN4E100-400-F-GR-TM-GG

MEI >= 0,4



Dimensions in		mm	Total weight	158 kg
1	G 3/8"	w	370	
2	G 3/8"	x	8	
3	G 3/8"	y	8	
a	140	z	90	
b	100			
d	42			
Da1	250			
Da2	210			
Da3	18			
Dm1	220			
Dm2	180			
Dm3	18			
DNa	125			
DNm	100			
e	110			
f	530			
h1	280			
h2	355			
m1	200			
m2	150			
n1	400			
n2	500			
s1	23			
t	12			
u	45			